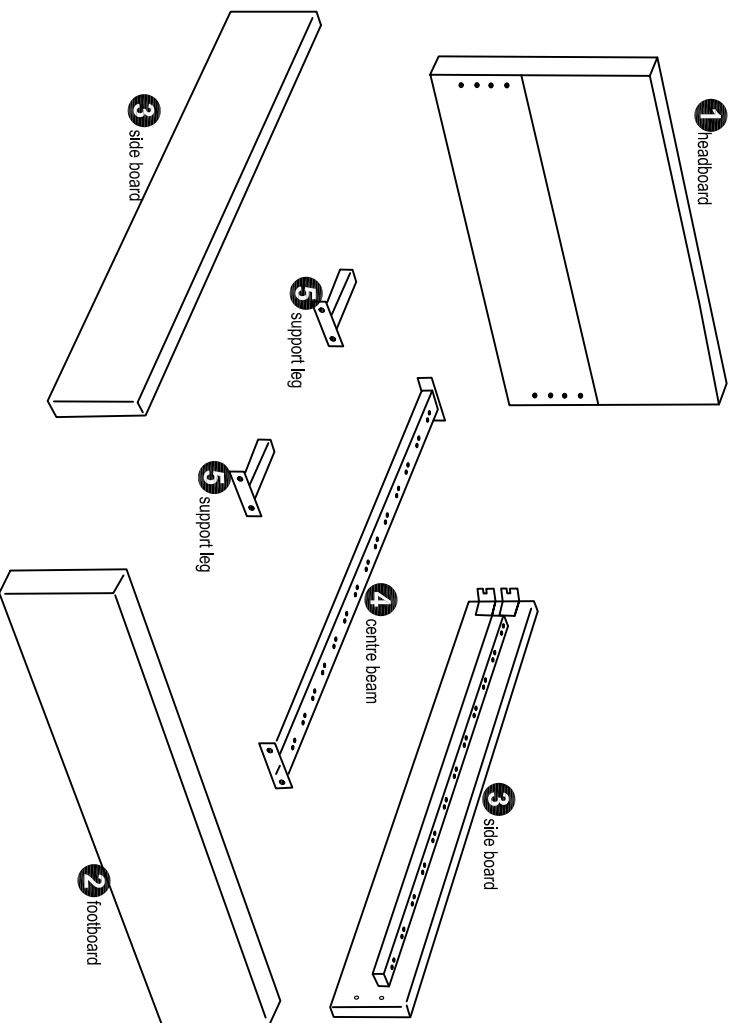


Single 3ft Basic Bed Base

Parts

The headboard diagram has been drawn for reference only.
So please don't worry if it looks different to your headboard.



6 x4 drawer wheels



7 x26 slats



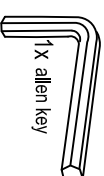
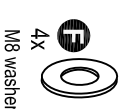
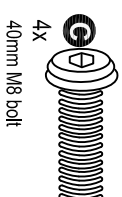
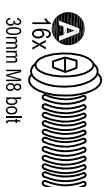
8 x13 double cap



9 x26 single cap

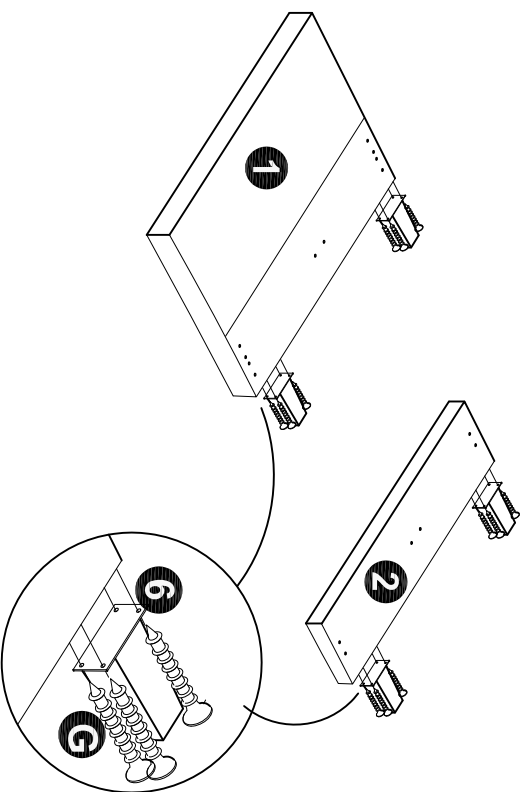


Fittings

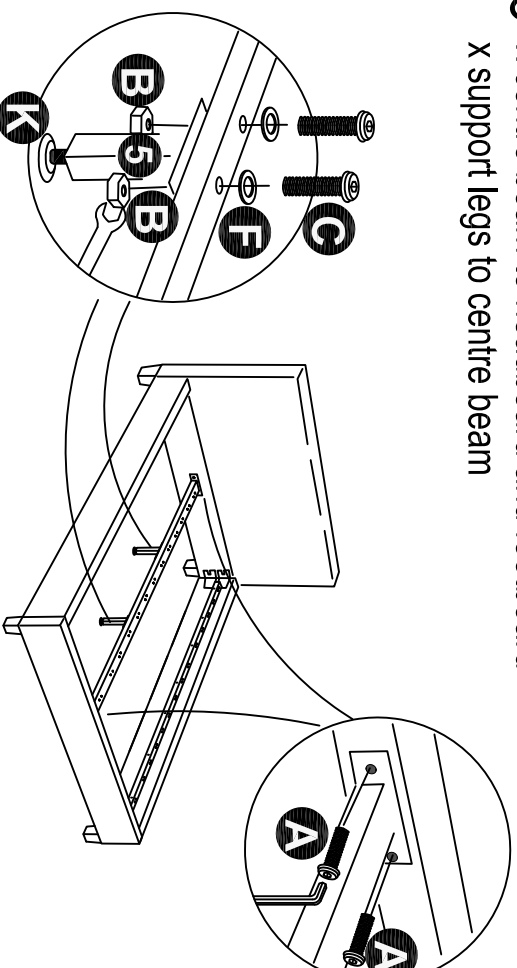


Only hand tighten fixtures initially to allow flexibility for part alignment. Fully tighten all fixtures at the end when parts are in position.

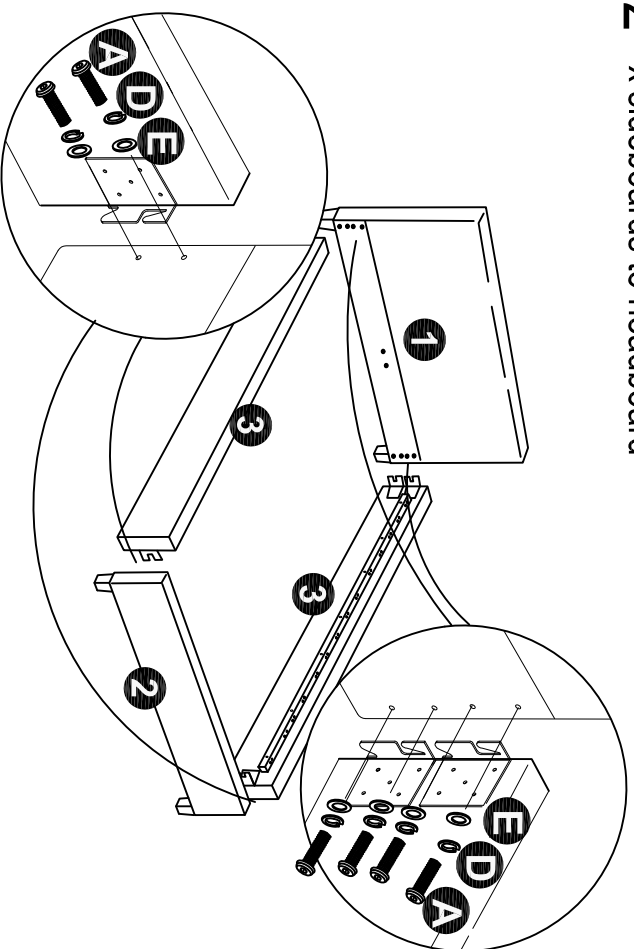
1 fix the feet to the headboard and footboard



3 x centre beam to headboard and footboard
x support legs to centre beam



2 x sideboards to headboard



4 fix caps to ends of slats
press caps into beam holes

