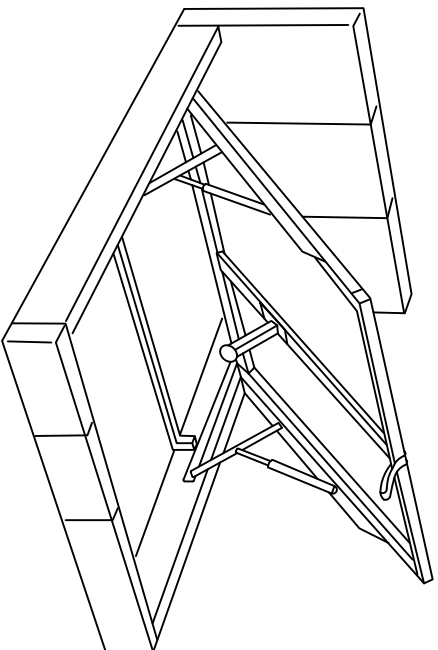
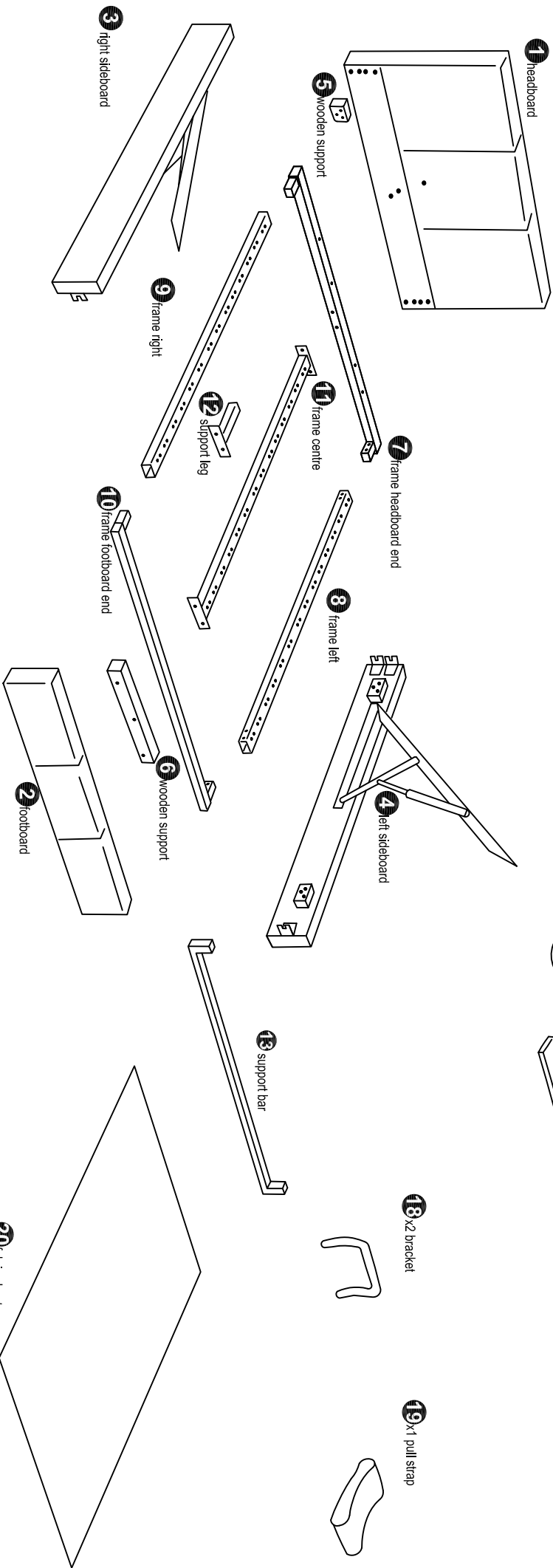


Double 4ft6 Basic Ottoman Bed Base



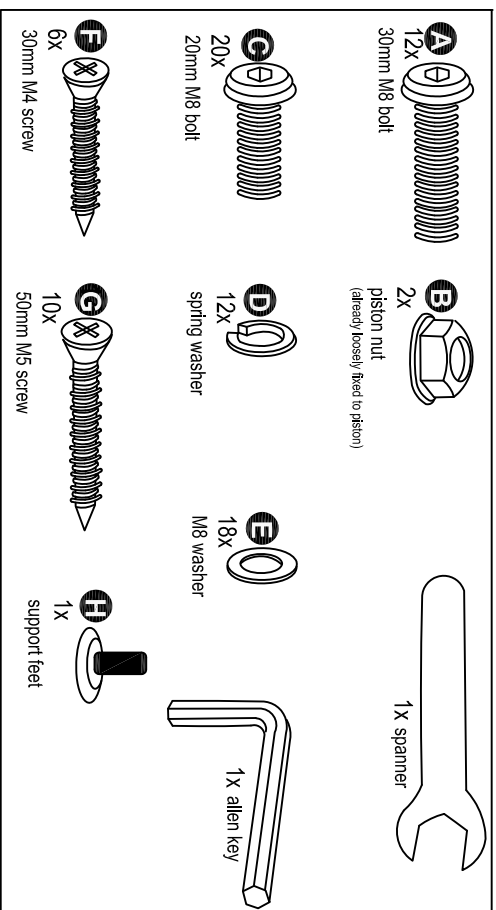
Parts

The headboard diagram has been drawn for reference only.
So please don't worry if it looks different to your headboard

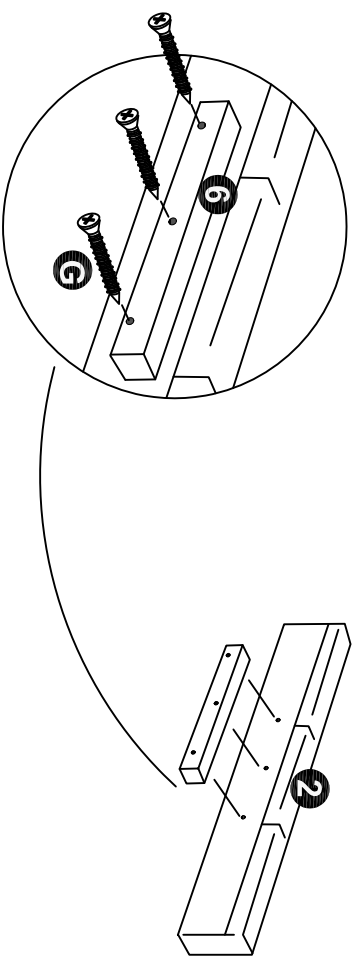


Only hand tighten fixtures initially to allow flexibility for part alignment. Fully tighten all fixtures at the end when parts are in position.

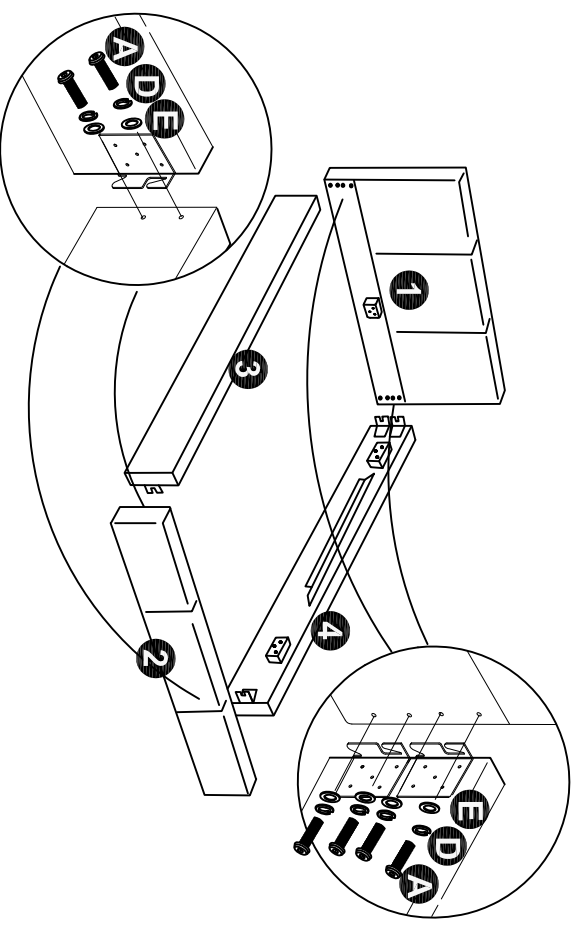
Part number:1-S/pack



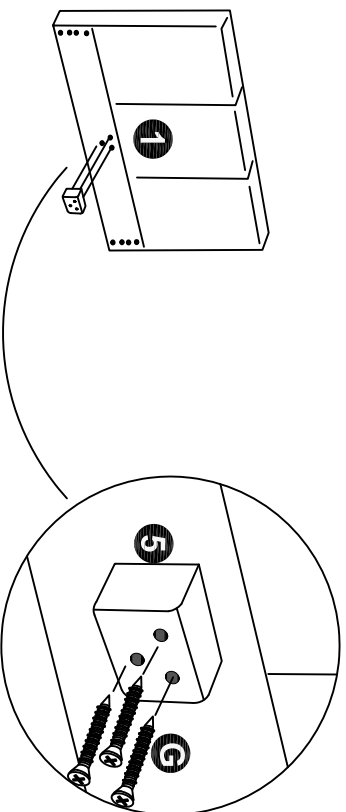
2 fix wooden support to footboard



3 fix sideboards to headboard then fix footboard to sideboards

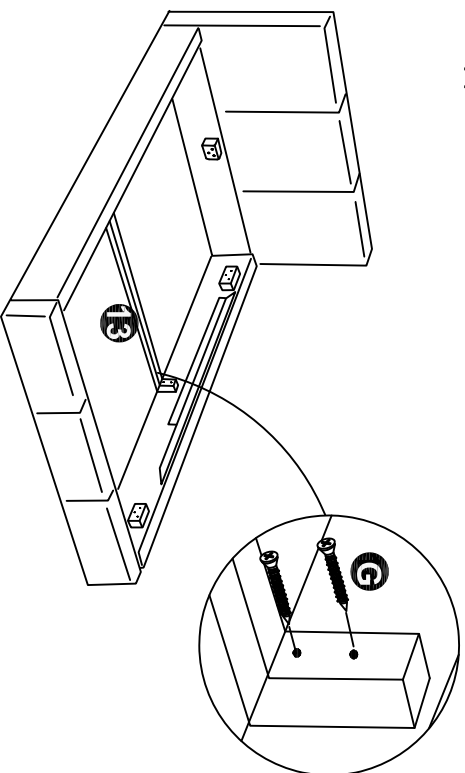


1 fix wooden support to headboard

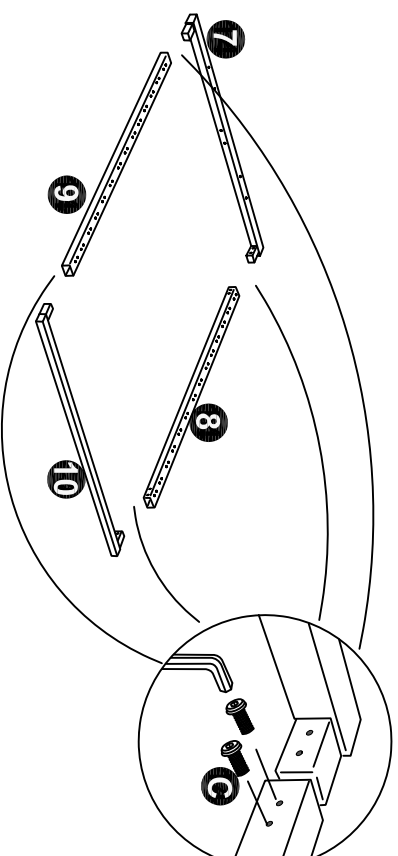


Only hand tighten fixtures initially to allow flexibility for part alignment. Fully tighten all fixtures at the end when parts are in position.

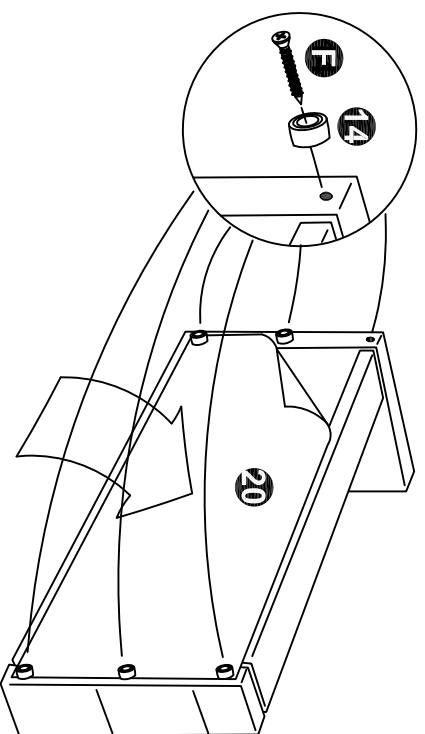
4 fix support bar to sideboards



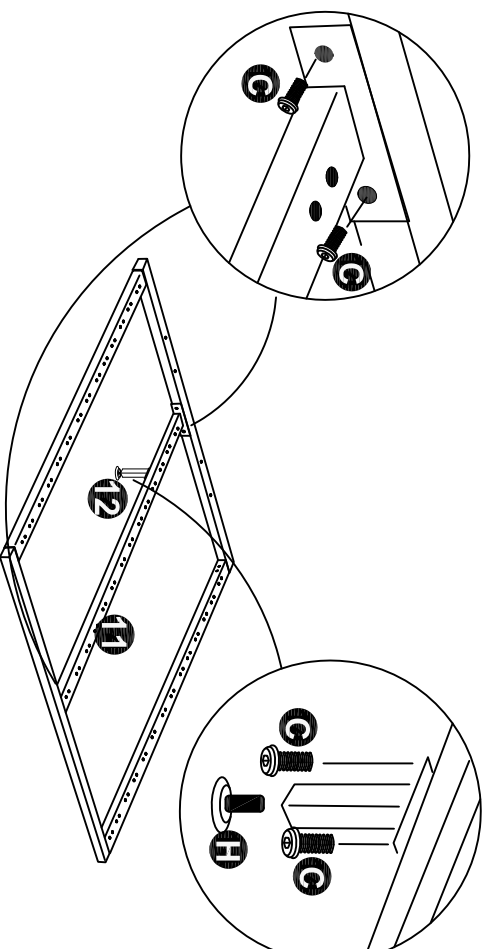
6 fix metal frame left, right and ends together



5 fix fabric sheet to bed underside fix bed feet to bed underside

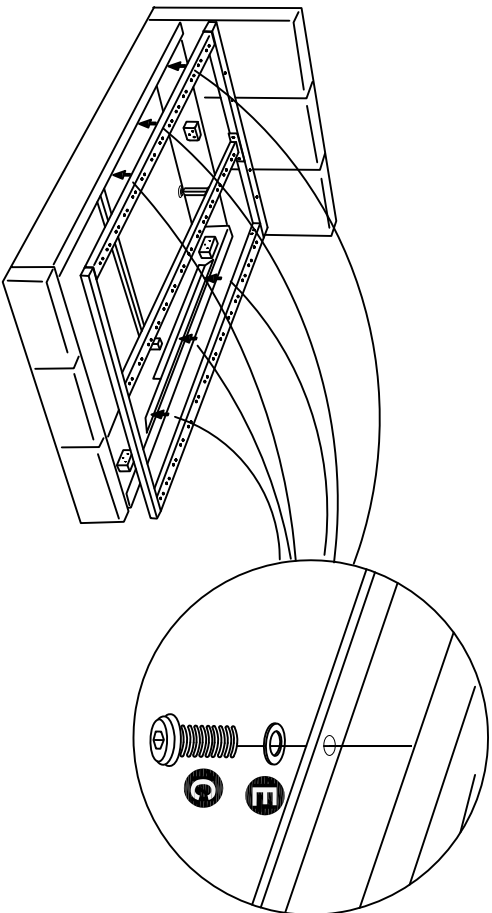


7 fix frame centre to metal frame ends fix support leg to frame centre

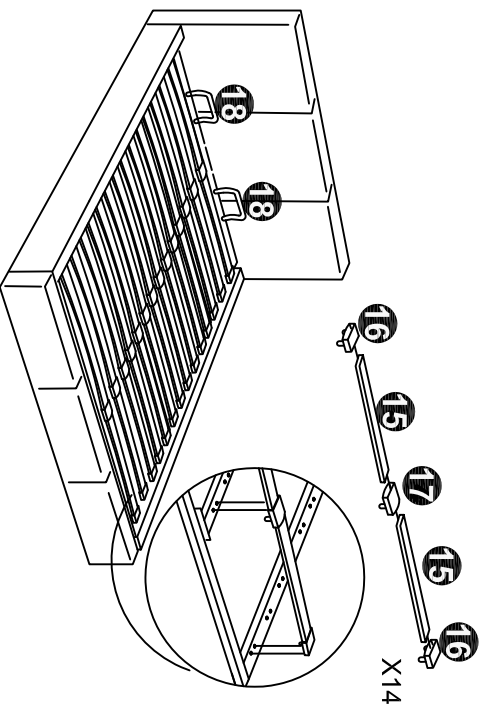


Only hand tighten fixtures initially to allow flexibility for part alignment. Fully tighten all fixtures at the end when parts are in position.

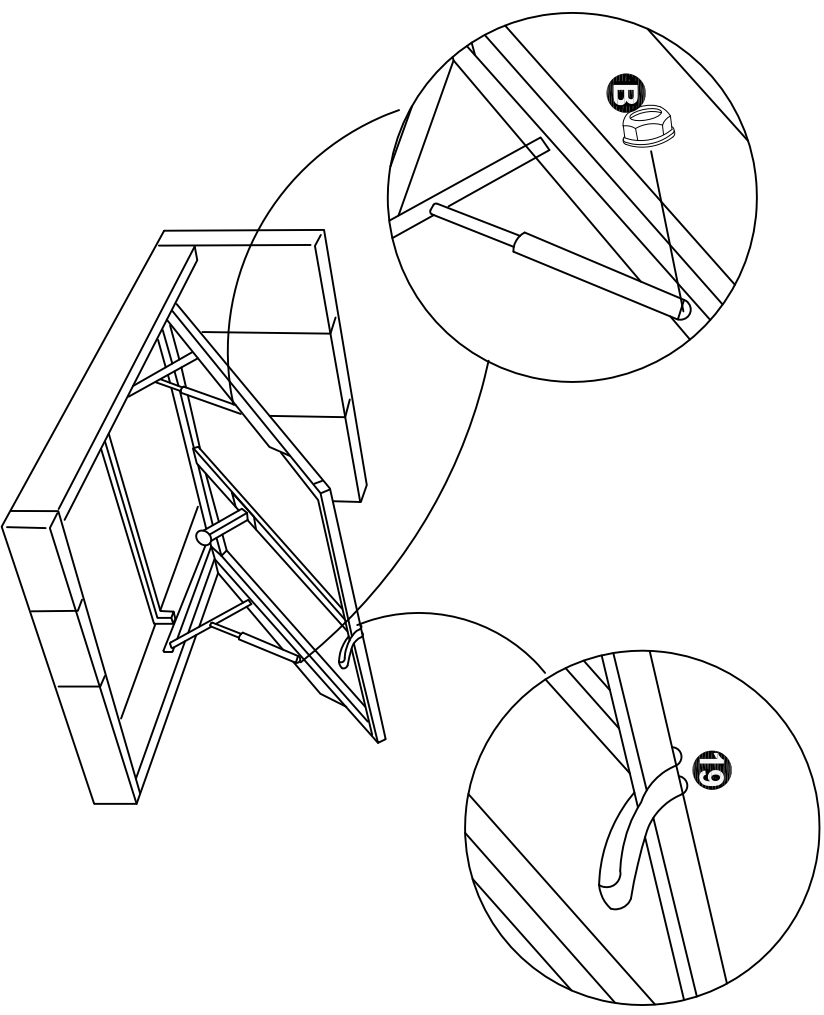
8 fix metal frame to lift mechanism



9 fix caps to ends of slats press caps into frame holes slot brackets into frame holes



10 connect piston arm to frame with nut tie pull strap to frame



Pistons will resist heavily when new. Apply firm strength on initial use to free mechanism. Mechanism will ease over usage.